



System WV430 Storefront Window System



CONFIGURATIONS

Project-out • Casement-out

The WV430 storefront vent system is designed to be field glazed and installed with a minimal amount of labor. These vents are offered in two configurations: out-swing casements and project-out vents. Although the WV430 vent is designed to complement the flush glazed storefront, it may be glazed into any framing system with a flush surface opening and minimum frame depth of 3 1/2". The WV430 vent system is designed to incorporate many types of hardware configurations; including 4 bar hinge, multipoint locks, cam locks and roto-operators.

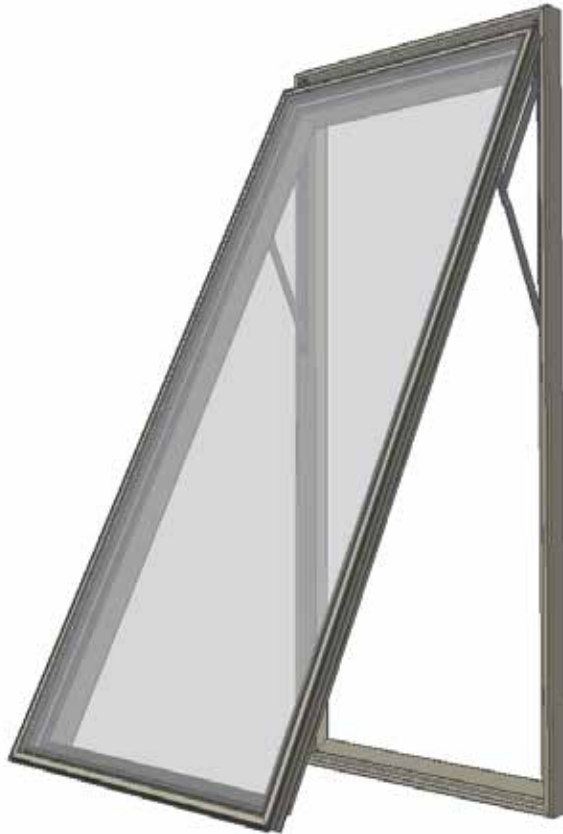
Features

Thermally broken frames
Designed to use with storefront systems
Spans up to 1 1/8" wide glazing pocket
Accommodates 1/4" & 1" glazing
Screens available
Screen frames are extruded aluminum alloy
Anodized and painted finishes available
Structural silicone glazed
Designed to incorporate many types of hardware configurations; including 4 bar hinge, multipoint locks, cam locks and roto-operators

Benefits

Enhanced thermal performance
Allows operable vent in fixed frames
Minimal additional metal sightline
Can be used in retrofit applications
Energy savings options
Ventilation
Stronger more durable screens
Multiple options to answer economic and aesthetic concerns
Reduces metal sightline at exterior
Provides design flexibility

System WV430 Storefront Window System



PERFORMANCE DATA

WV430
 AIR INFILTRATION<.10 CFM/FT @ 6.24 PSF*
 WATER NO LEAKAGE @ 15.0 PSF*
 STRUCTURAL AW60*
 THERMAL Acceptable range between .35-.36 with .24 cog glass*
 ACOUSTICAL ACCEPTABLE RANGE BETWEEN 35-40 *

Note: All performance value data is based on laboratory testing per AAMA 101/I.S.2/A440 for Air/Water/Structural, ASTM E90 and or E413 for Acoustical, AAMA 507 and or NFRC 100/200/500 for UFactors and AAMA 1503 for Condensation Resistance Factor (CRF). Printed values are subject to change pending the frequency of recertification testing. Field results will vary depending on size, the field test method, the addition of sub-frames, panning, mullions, accessories and installation into the surrounding condition.

* Testing is in process. Product is designed to meet targets. For specific questions, see Product Tech Services.

SYSTEM WV430 STOREFRONT VENT	POLYCARBONATE			GLASS OR PANEL												
	3/16"	1/4"	5/16"	3/16"	1/4"	1/4**	5/16"	7/16"	1/2"	9/16"	5/8"	3/4"	7/8"	15/16"	1"	1-1/16"
MONOLITHIC GLASS		O			O	O										
INSULATED GLASS															S	

*-Obscure glass thickness
 **-Laminated glass thickness
 O -Optional
 S -Standard
 Blank - N/A



System WV430 Storefront Window System

Application

The WV-430 can only be used in a flush metal opening that is square to within 1/8" for proper sealing.

Maximum Size: 36" x 60" casement

Maximum Size: 60" x 48" project out

Minimum Size: 12" x 12" project out

Minimum Size: 12" x 12" casement

Minimum Size: 20" x 20" casement with 90 deg. vent opening

Main Frame Construction

Miter cut .080" nominal wall thickness extruded aluminum angle of 6063-T5 or T6 alloy and temper contains extruded aluminum corner key. Corners are bed in silicone sealant and assembled using extruded aluminum corner key.

Vent Frame Construction

Miter cut .125" nominal wall thickness extruded aluminum angle of 6063-T5 or T6 alloy and temper contains one screw boss and corner key and gasket dart race. Corners are bed in silicone sealant and assembled using screw boss and corner key construction. See Illustration 1.

Hardware

Standard 4 bar hinge operation is utilized with cam handles applied to vent and surface-applied cam strikes on main frame located as required structurally. The WV430 vent system is designed to incorporate many types of hardware configurations; including 4 bar hinge, multipoint locks, cam locks and roto-operators.

Glazing

The 1" glazing is structurally siliconed to the vent framing at the number four surface. The SSG version is glazed full perimeter with structural silicone. (See detail pages)

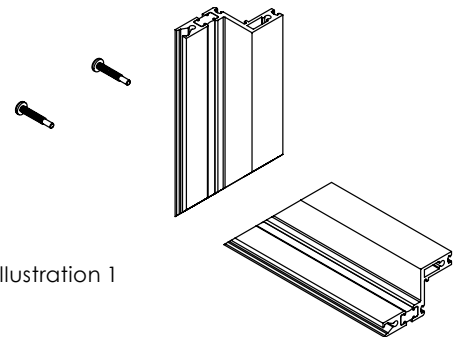


Illustration 1